

DO IT YOURSELF

WATER FILTER INSTALLATION INSTRUCTIONS AND USER'S GUIDE

1. INVENTORY PARTS RECEIVED

- a. This Instruction sheet
- b. Filter system (loose assembled)
 - i. Head (gray plastic)
 - ii. Sump (white plastic)
 - iii. Filter candle element (ceramic in protective bubble pack) with foam rubber washer
- c. Mounting bracket with
 - i. 3 large self-tapping screws
 - ii. 2 small mounting screws
- d. Line piercing valve (brass body, plastic push fit adaptor)
- e. Thru-the sink Tap assembly (chrome w/ operating lever & plastic push fit adaptor)
- f. Connecting tubing (3/8" plastic)

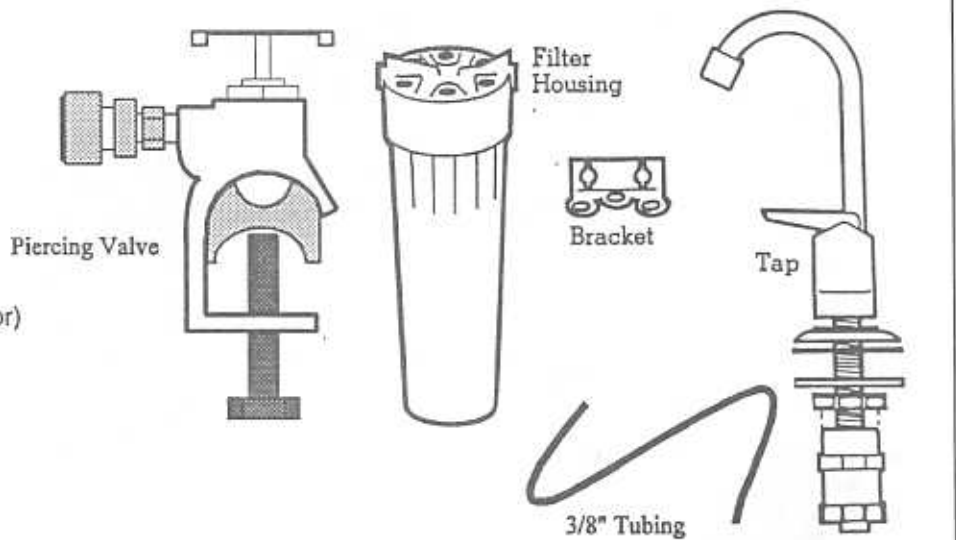


Figure 1

DIY Kit Contents

2. INSTALL FILTER HOUSING

- a. Select a suitable location for the filter housing under the kitchen sink.
 - i. The location should be reasonably accessible for filter element cleaning and/or replacement.
 - ii. A minimum clearance of four (4) inches below the housing is required to allow removal of the housing and filter element.
- b. Install the filter bracket (black steel) on the filter head (gray plastic) using the three (3) self-tapping screws provided.

Note: The FLOW arrow embossed on the top of the head indicates the filter inlet and outlet ports.

- c. Secure the bracket and head assembly to the side of the sink cabinet in the desired location with the two small screws provided.

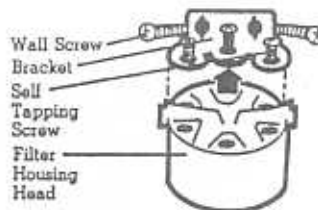


Figure 3

Housing & bracket

3. INSTALL LINE PIERCING VALVE

- a. Select a suitable location for the line piercing valve on the cold water supply pipe.
 - i. The valve should be accessible to allow for periodic cleaning and/or replacement of the filter candle.

Note: The piercing valve clamp has an aluminum adaptor which fits either 3/8" or 1/2" copper pipe. Be sure the adaptor is positioned for the appropriate size.

- ii. Open the clamp and position the valve on the pipe in the desired location. Reassemble the clamp and tighten the valve body firmly on the pipe with a wrench.

4. INSTALL THE TAP

- b. Select a suitable location for the drinking water tap as close to the sink as possible allowing convenient space under the sink for assembly. Drill the sink top with a 1/2 in. bit to accommodate the inlet pipe.
- c. Assemble the tap to the sink top:
 - i. remove the push fit adaptor, the brass nut and the lock washer from the inlet pipe.
 - ii. insert the valve through the sink top to seat the rubber washer.
 - iii. replace the lock washer and brass nut and tighten firmly with a wrench.
 - iv. replace the push fit adaptor

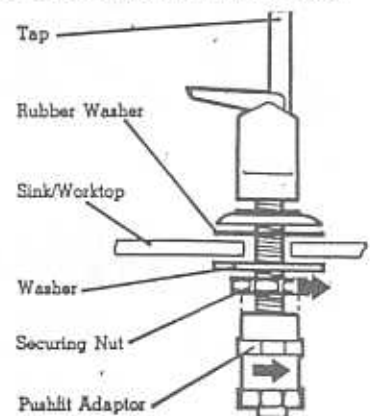


Figure 2

Tap Installation

5. INSTALL CONNECTING TUBING

- a. Cut two pieces of the 3/8" plastic tubing to fit between the plastic push fittings on:
 - i. the line piercing valve and the filter head inlet.
 - ii. the filter head outlet and the tap.

Note: Allow an extra 1-1/2 inches on each piece as the tip of the tubing will travel about 3/4" into each fitting to seat properly.

- b. Seat the tubing firmly into the push-fit plastic adapters on the piercing valve, the filter head and the tap.

6. INSTALL THE FILTER ELEMENT

- a. If in place, remove the filter sump.
- b. **Remove the plastic bubble wrap from the filter candle.**
- c. Verify that the foam rubber washer is around the threads on top of the ceramic filter candle. Screw the candle into the filter head and manually tighten firmly so as to compress the foam rubber washer. This seals the element to the filter head and prevents inlet water from bypassing the filter.
- d. Seat the "O"-ring in the appropriate groove in the sump and moisten it.
- e. Slide the sump over the filter element and screw the sump to the head; tighten firmly.

Note: Where clearance height under the sink is restricted, it may be necessary to slide the housing sump loosely over the ceramic candle BEFORE the candle is assembled in to the head. Be sure to leave enough of the candle protruding from the sump to allow a firm grip so as to allow manual tightening of the candle.

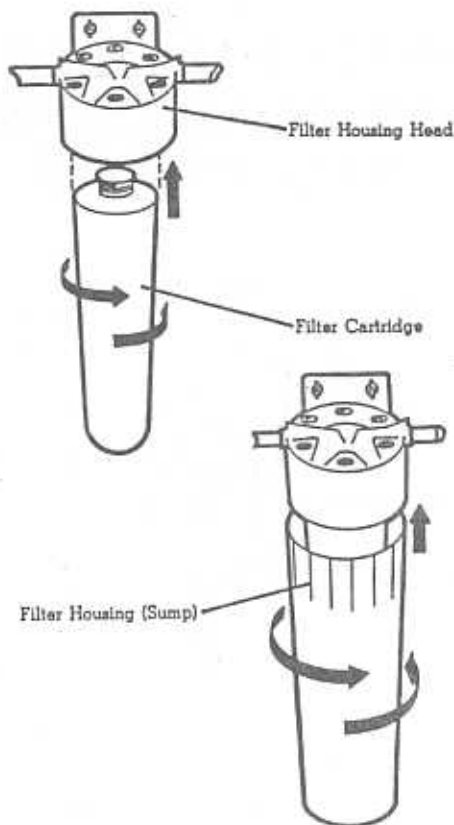


Figure 5 Candle & Sump Assembly

7. START-UP

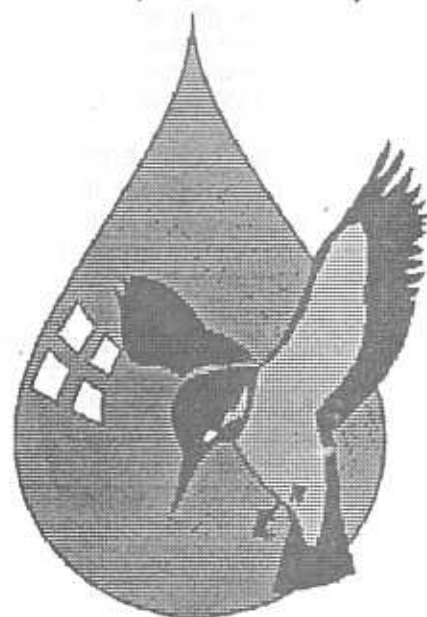
- a. Tighten the line piercing valve in a clock-wise direction to pierce the pipe. (The valve is self-sealing).
- b. Open the tap fully by lifting the lever to its vertical position to allow trapped air and water to flow out of the system.
- c. Reverse the piercing valve until flow starts.
- d. Flush the system for one to two minutes before using the water. [Some residual particles in the system may be expelled during this flush; this is quite normal.]
- e. For optimum filter efficiency, adjust the piercing valve to deliver about one gallon every two minutes.
- f. Note and record the date; check the condition of the filter element in about six months (or earlier, if the flow rate drops off noticeably).

8. CLEANING AND MAINTENANCE

- a. If your water supply contains a lot of solid particles, the flow rate from the filter may fall off rather quickly. If this happens, the filter may be cleaned:
 - i. shut off the line piercing valve
 - ii. remove the ceramic filter candle
 - iii. scrub the candle, using a stiff brush or scouring pad - 3M 'Scotchbrite' -, under a running tap to remove the accumulated material and expose a fresh ceramic surface. **DO NOT USE SOAPS, DETERGENTS, OR BLEACH TO CLEAN THE CANDLE.**

9. TROUBLESHOOTING

- a. No flow of water through the system:
 - i. verify removal of the bubble wrap from around the ceramic element.
 - ii. check the piercing valve is in the open position
 - iii. check the plastic tubing for kinks
- b. Water leaks
 - i. at the piercing valve: inspect and tighten the piercing valve clamp
 - ii. at the push-fittings: inspect to be sure tubing has been fully seated.
 - iii. at the housing: verify that the housing has been fully tightened.
- c. Flow rate drops off
 - i. open the housing and inspect the surface of the ceramic element; clean or replace as necessary.



Doulton

Water Filters