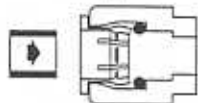




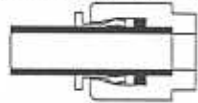
INSTALLATION GUIDE

QUICK-CONNECT FITTING

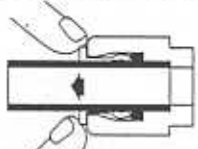
Insertion & Removal of Plastic or Copper Tubing



1. Simply push in tube to attach.



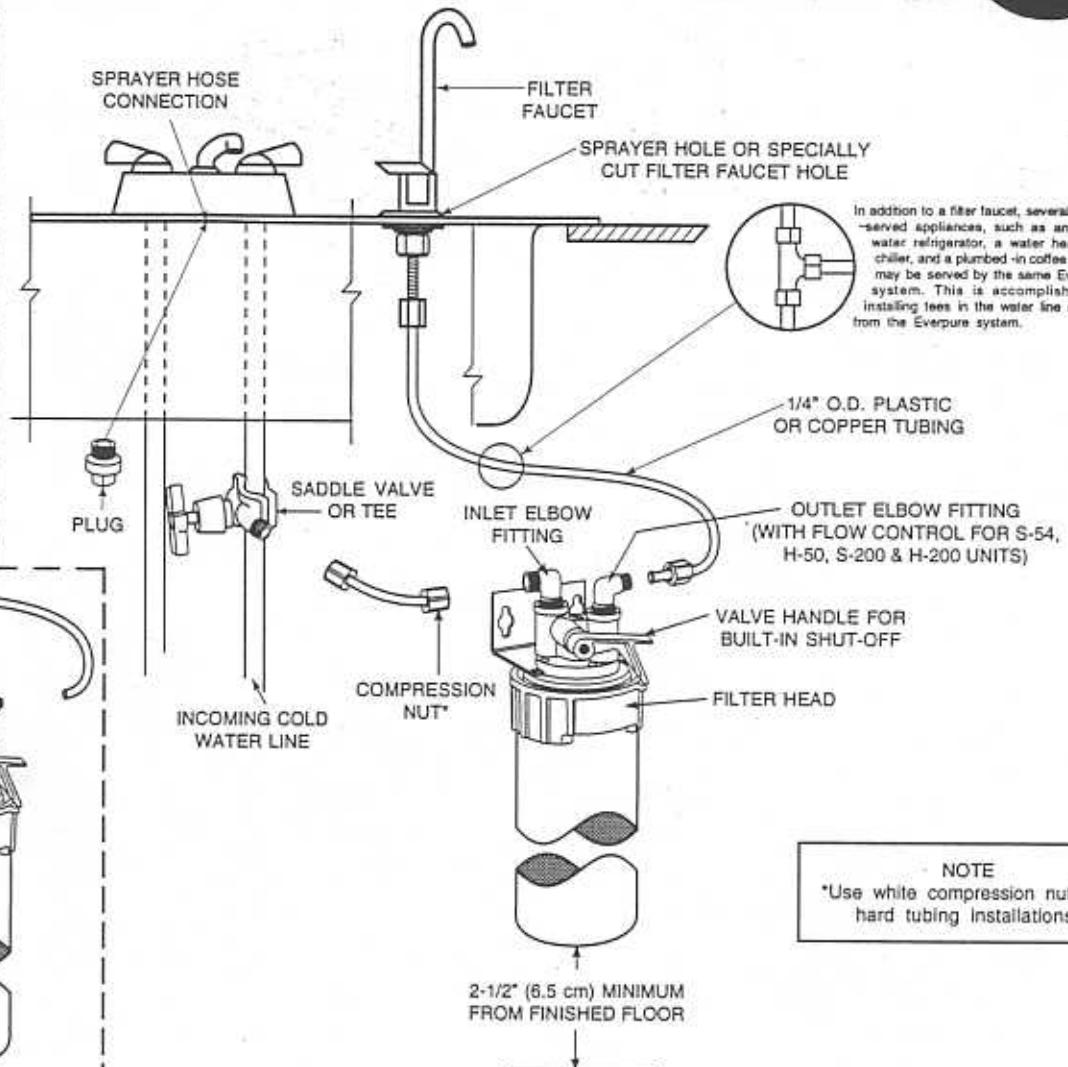
2. Tube is secured in position.



3. Push in collet from both sides to release tubing.

QUICK-CONNECT FITTINGS

 products have two fitting styles available: compression fittings or quick-connect fittings. Please refer to installation instructions applicable to your fittings.



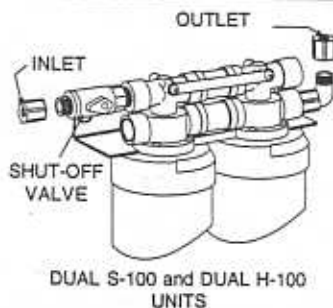
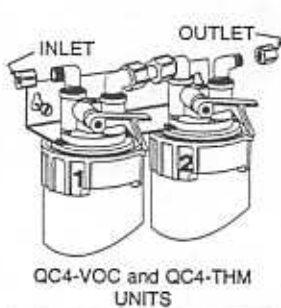
In addition to a filter faucet, several water-served appliances, such as an ice & water refrigerator, a water heater or chiller, and a plumbed-in coffee maker, may be served by the same Everpure system. This is accomplished by installing tees in the water line coming from the Everpure system.

1/4" O.D. PLASTIC OR COPPER TUBING

OUTLET ELBOW FITTING (WITH FLOW CONTROL FOR S-54, H-50, S-200 & H-200 UNITS)

2-1/2" (6.5 cm) MINIMUM FROM FINISHED FLOOR

NOTE
 *Use white compression nuts for hard tubing installations.



DUAL HEAD CONFIGURATIONS

Dual S-100 and Dual H-100 Drinking Water Systems may be installed using the existing cold water faucet instead of a separate filter faucet. However, this method of installation will exhaust cartridges more rapidly, since all the cold water used, not just drinking and cooking water, will pass through the system.

CARTRIDGE CHANGE INSTRUCTIONS

INSTALLATION



1. Align bump on cartridge with notch on ring. Insert cartridge.



3. Push up and twist ring to right until it stops.



2. Hold ring and turn cartridge to right until it stops.



4. Open valve. Lock into ring.

START-UP



Run water through faucet for a few minutes to purge cartridge of air. (A unit plumbed to an ice maker should also be plumbed to a drinking water tap to insure satisfactory performance.)
 NOTE: Dispensed water may appear cloudy for a few days. This is due to air in the filter cartridge, and does not affect system performance or contaminant reduction in any way.

REMOVAL



1. Close valve to turn off water. Open separate faucet to relieve pressure.



3. Turn cartridge until it's free.



2. Twist ring to left until it drops down and cartridge becomes loose.



4. Remove cartridge.